



## ULTRA NARROW BEAM TIR LENS

# OPTONOM

Scientific Instruments

[www.optonom.com.tr](http://www.optonom.com.tr)

Turkey

Discover  
the potential



**NARROW BEAM TIR LENS PROPERTIES / DAR AÇILI TIR MERCEK ÖZELLİKLERİ**

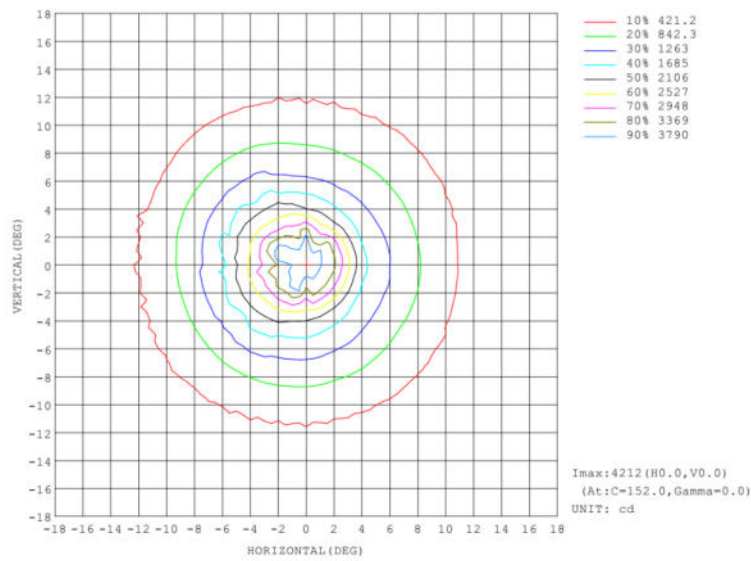
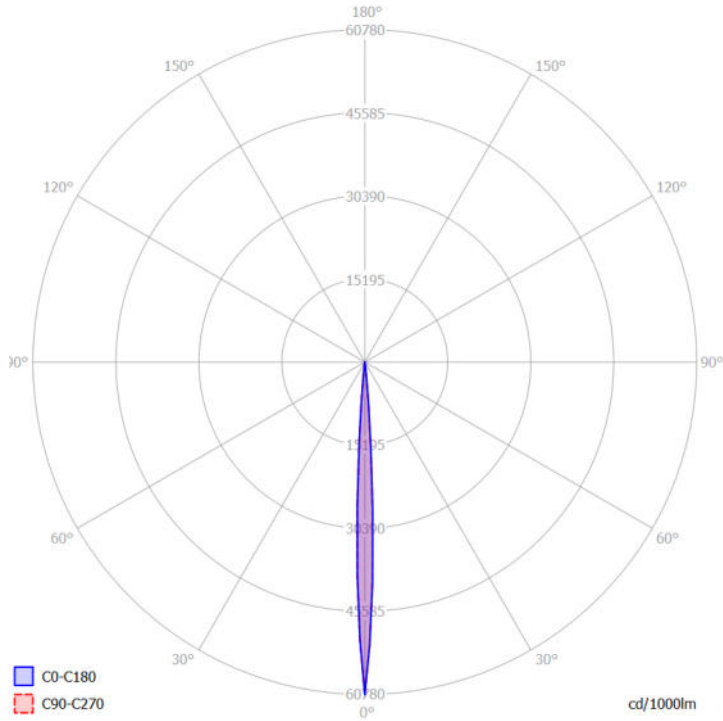


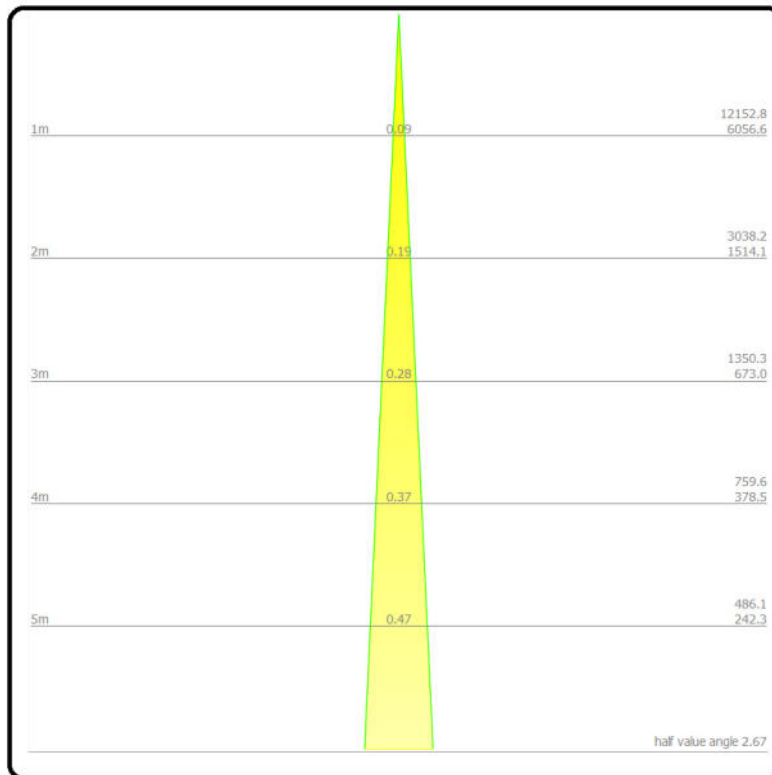
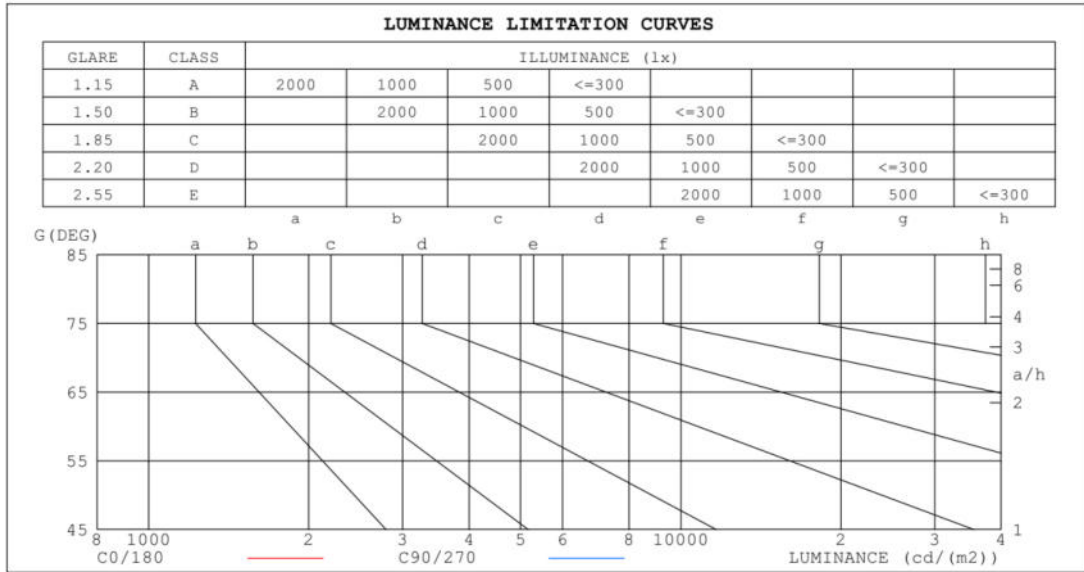
**TECHNICAL SPECIFICATIONS / TEKNİK ÖZELLİKLER**

Product Code / Ürün Kodu	OPT-NB-40012
Area of Usage / Kullanım Alanı	Narrow Beam Lighting / Dar Açılı Aydınlatma
Degree (FWHM) / Yayılım Açısı	5 Degrees
Efficiency / Verimlik	95.7%
Type / Tip	Single
Size (mm) Diameter / Boyut	35mm
Material / Malzeme	PMMA
Fastening / Montaj	Pin
Storage Temperature	0 ° C ~ 40 ° C max
Compatible LED Module / Uyumlu LED Modülü	5050, 3030, 3535 LED Packages and etc.
Operating Temperature / Kullanım Sıcaklık Aralığı	PMMA / -40 ° C ~ + 100 ° C max
Box Size (mm) WxLxH / Kutu Boyutu	350x400x300
Quantity in Box / Kutu İçi Adet	200 pcs
Box Weight (g) / Kutu Ağırlığı	2500
RoHS Complaint / RoHS Uyumlu	Yes

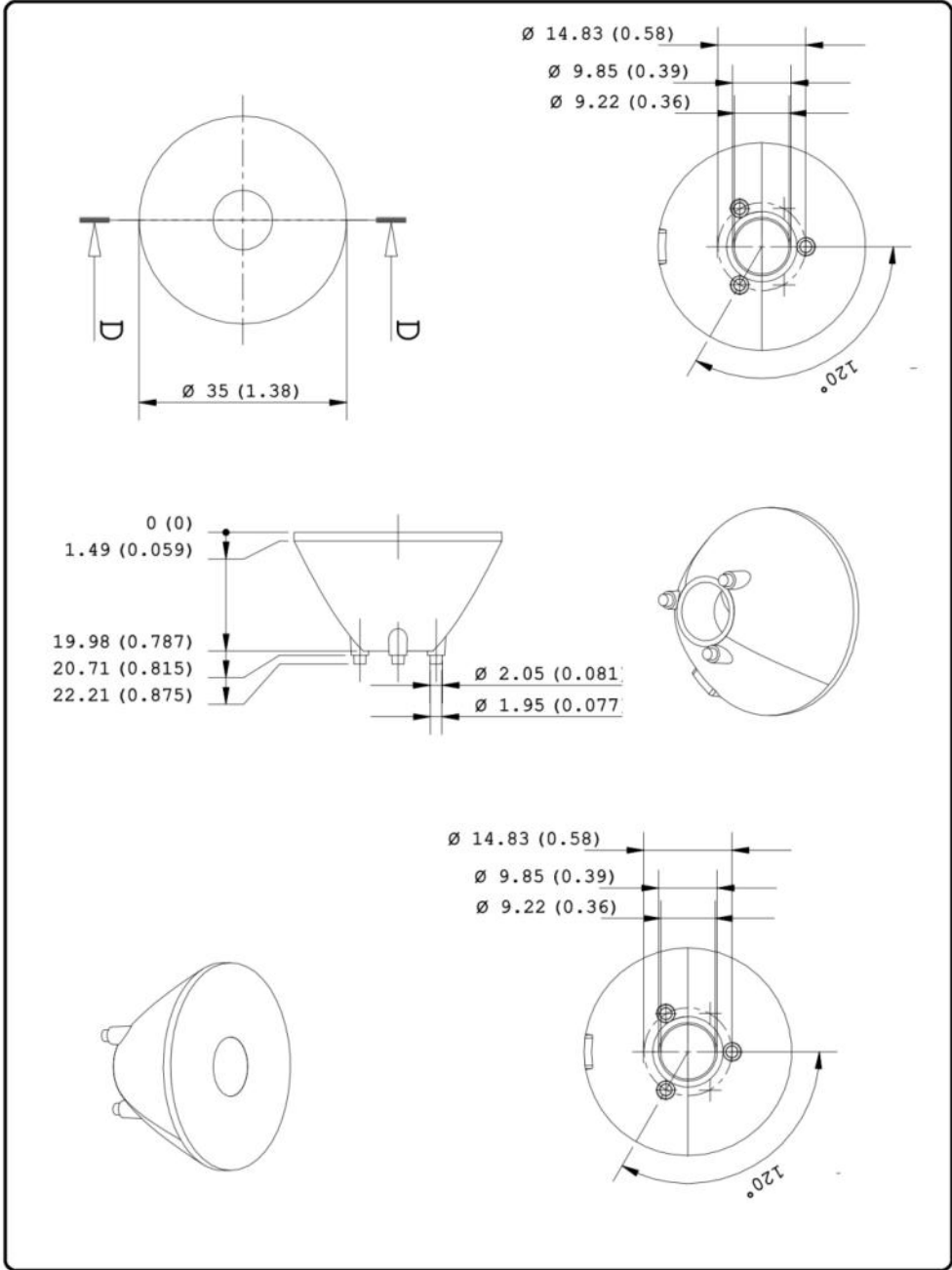


**PHOTOMETRIC DATA**





**TECHNICAL DRAWING (UNIT: MM)**



**INSTRUCTIONS FOR USE & MAINTENANCE**

PMMA clear, Non-yellowing for 10 years.

Yellowness Index (YI) according to the test standards for Arizona/Florida outdoor exposure testing:

-YI 6 under hot/dry conditions

-YI 8 under hot/wet conditions

**APPLICATION NOTES**

Working Temperature :  $-40^{\circ}\text{C} \sim +100^{\circ}\text{C}$

Storage Temperature :  $-40^{\circ}\text{C} \sim +100^{\circ}\text{C}$

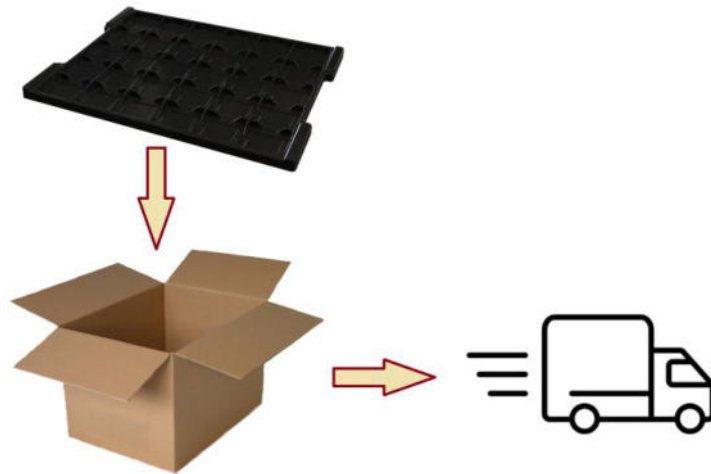
Please handle or install lenses with wearing gloves.

Skin oils may damage lens or its optical characteristic.

Never use any commercial cleaning solvents on lenses, like alcohol.

If necessary, clean lenses with mild soap, water and soft cloth.

**PACKAGING / PAKETLEME**



**DISCLAIMER**

Please note that flow lines and weld lines on the external surfaces of the lenses are acceptable if the optical performance of the lens is within the specifications. Should you require further information, please contact OPTONOM for advice. All lens testing must be subject to identical conditions as OPTONOM test condition. OPTONOM manufactures lenses for LEDs. Any other use of the lens shall void our liability and warranty. The lenses are an inert component to be used in the manufacture of various products. Our warranty and liability are limited only to the manufacture of the lens. You may not modify, copy, distribute reproduce, license or alter the lens and related materials of OPTONOM. OPTONOM does not warrant against damages or defects arising out of the use or misuse of the products; against defects or damage arising from improper installation, or against defects in the product or in its components. No warranty of any kind, expressed or implied, is made regarding the safety of the products. REPRODUCTION PROHIBITED.

